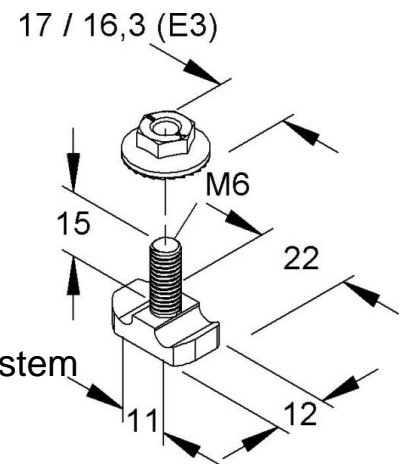


Connector for cable support system GRHKM 6X15 F

Allgemeine Informationen

Products_Model	ET5410666
EAN	4013339012435
Producer	Niadax
Producer-Model	GRHKM 6X15 F
Producer-Typ	GRHKM 6X15 F
min. Order	
Class	Verbinder für Kabeltragsystem

Technische Informationen



[Connector for cable support system GRHKM 6X15 F online kaufen](#)