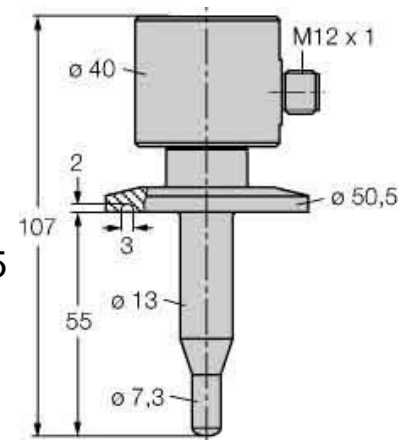


## Unequipped meter cabinet 6872025

### Allgemeine Informationen

|                |                      |
|----------------|----------------------|
| Products_Model | ET6305277            |
| EAN            | 4047101176261        |
| Producer       | Turck                |
| Producer-Model | 6872025              |
| Producer-Typ   | FCS50A4AP8X #6872025 |
| min. Order     |                      |
| Class          |                      |

### Technische Informationen



[Unequipped meter cabinet 6872025 online kaufen](#)

