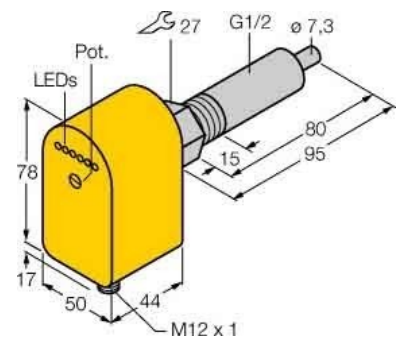


Printed circuit board terminal 6870364

Allgemeine Informationen

Products_Model	ET6305282
EAN	4047101173284
Producer	Turck
Producer-Model	6870364
Producer-Typ	FCSG1/2A4PA #6870364
min. Order	
Class	



Technische Informationen

[Printed circuit board terminal 6870364 online kaufen](#)