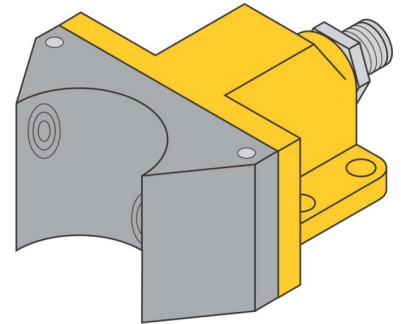


Inductive proximity switch 1569901

Allgemeine Informationen

Products_Model	ET6313725
EAN	4047101075946
Producer	Turck
Producer-Model	1569901
Producer-Typ	NI4-DSU352AP4X2H1141
min. Order	
Class	Induktiver Näherungsschalter



Technische Informationen

[Inductive proximity switch 1569901 online kaufen](#)

