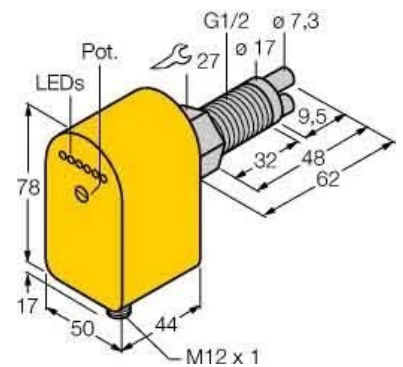


Way sensor 6870455

Allgemeine Informationen

Products_Model	ET6305288
EAN	4047101174076
Producer	Turck
Producer-Model	6870455
Producer-Typ	FCSGL1/2A2P #6870455
min. Order	
Class	



Technische Informationen

[Way sensor 6870455 online kaufen](#)

