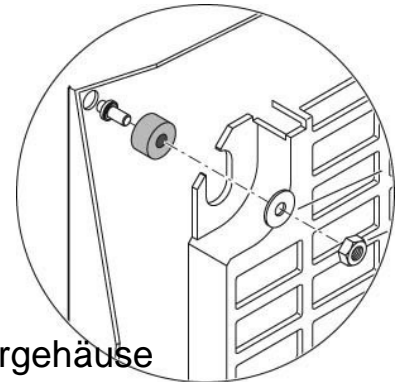


Mounting plate for distribution board 500 mm 400 mm NSYMR54

Allgemeine Informationen

| | |
|----------------|------------------------------------|
| Products_Model | ET6004553 |
| EAN | 3606480183683 |
| Producer | Schneider Electric |
| Producer-Model | NSYMR54 |
| Producer-Typ | NSYMR54 |
| min. Order | |
| Class | Montageplatte für Verteilergehäuse |



Technische Informationen

| | |
|------------|-------|
| Höhe | 500mm |
| Breite | 400mm |
| Werkstoff | |
| Oberfläche | |
| Lochung | |

[Mounting plate for distribution board 500 mm 400 mm NSYMR54 online kaufen](#)